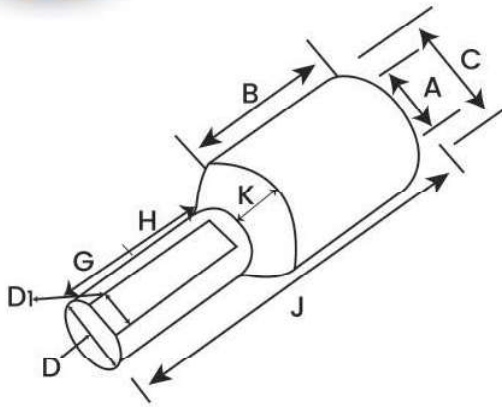




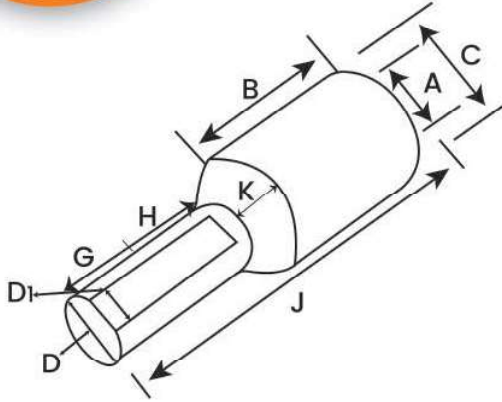
COPPER REDUCER TERMINALS



SL. NO.	AREA mm ²	DIMENSION								CAT NO.
		A	C	D	D-1	B	K	G-H	J	
1	2.5	2.5	4.7	4.5	4	6	4	10	20	DPWPC-1
		2.5	4.7	3.8	3.3	6	4	10	20	DPWPC-7
2	4	2.8	4.7	4.5	4	6	4	10	20	DPWPC-15
		2.8	4.7	3.8	3.3	6	4	10	20	DPWPC-16
3	6	3.1	4.7	4.5	4	6	4	10	20	DPWPC-17
		3.1	4.7	3.8	3.3	6	4	10	20	DPWPC-18
4	10	3.8	5.5	4.6	4	9	4	10	23	DPWPC-19
		3.8	5.5	3.8	3.3	9	4	10	23	DPWPC-20
		4.4	6.2	4.6	4	9	4	10	23	DPWPC-21
		4.4	6.2	3.8	3.3	9	4	10	23	DPWPC-22
5	16	5.3	7.1	6	5.5	12	4	15	32	DPWPC-23
		5.3	7.1	6	5.5	12	4	21	37	DPWPC-24
		5.3	7.1	3.8	3.3	13	4	13	30	DPWPC-2
6	25	7	9	6	5.5	12	5	15	32	DPWPC-25
		7	9	7.5	6.5	12	5	20	37	DPWPC-3
7	35	8	10	7.5	6.5	12	5	20	37	DPWPC-4
8	50	9.2	11.2	7.5	6.5	16	5	0	41	DPWPC-26
		10.4	14	14	13	18	7	24	49	DPWPC-5
9	70	11.5	13.8	11.5	10.5	18	5	25	48	DPWPC-6
		11.5	13.8	7.5	6.5	18	5	20	43	DPWPC-27
		11.5	13.8	11.5	10.5	18	5	32	55	DPWPC-28



COPPER REDUCER TERMINAL



SL. NO.	AREA mm ²	DIMENSION								CAT NO.
		A	C	D	D-1	B	K	G-H	J	
10	95	12.8	15.6	11.5	10.5	20	6	25	51	DPWPC-29
		12.8	15.6	15.6	14	20	6	27	53	DPWPC-8
		12.8	15.6	7.5	6.5	20	6	22	48	DPWPC-31
		12.8	15.6	12.8	11.6	20	6	32	58	DPWPC-32
11	120	14.8	17.8	11.5	10.5	22	6	25	53	DPWPC-33
		14.8	17.8	7.5	6.5	22	6	22	50	DPWPC-34
		14.8	17.8	11.5	10.5	22	6	32	60	DPWPC-35
		14.8	17.8	15.6	14	22	6	32	60	DPWPC-36
12	150	16	19.6	15.6	14	26	6	32	64	DPWPC-10
		16	19.6	11.5	10.5	26	6	32	64	DPWPC-37
13	185	18	22	15.6	14	32	6	32	70	DPWPC-30
		18	22	11.5	10.5	32	6	32	70	DPWPC-38
14	225	20	26	15.6	14	38	8	32	78	DPWPC-39
		20	26	21	18	38	8	42	88	DPWPC-46
		20	26	16	15	38	8	42	88	DPWPC-42
15	240	22	26	16	15	38	8	42	88	DPWPC-44
		21.2	26	15.6	14	38	8	32	78	DPWPC-43
16	300	24	28.7	16	15	42	8	42	92	DPWPC-45
		24	28.7	15.6	14	42	8	32	82	DPWPC-47
17	400	27	33.2	15.6	14	46	12	32	90	DPWPC-101