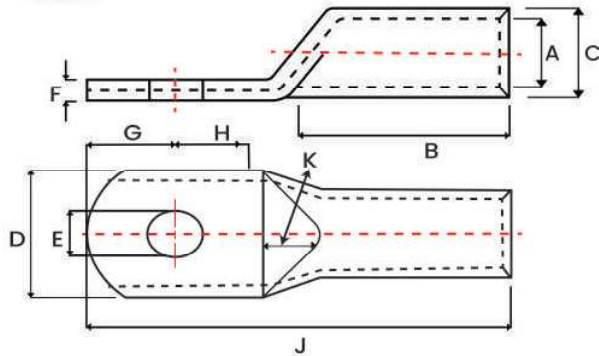




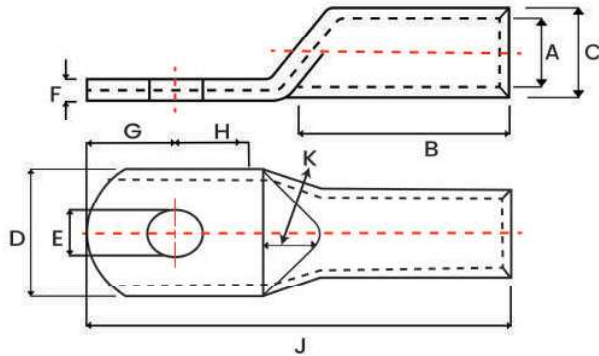
DAGA POWER GROUP  
Engineering Excellence

## COPPER TUBE TERMINAL MEDIUM DUTY LUGS

21



SL. NO.	AREA mm <sup>2</sup>	DIMENSION										CAT.No.
		E	A	C	D	F	B	K	H	G	J	
1	2.5	5.2	2.0	3.7	9	1.0	7	3	5	5	20	DPCU-05
2	4	6.5	3.1	4.8	11	1.0	7	3	6	6	22	DPCU-06
3	6	6.5	3.8	5.5	11	1.0	9	3	6	6	24	DPCU-07
4	10	6.5	4.4	6.2	11	1.3	9	3	6	6	24	DPCU-08
5	16	6.5	5.3	7.1	11	1.6	12	4	8	6	30	DPCU-09
6	25	6.5	7.0	9.0	13	2.0	12	5	12	8	37	DPCU-10
7	35	6.5	8.0	10.0	15	2.0	12	5	12	8	37	DPCU-11
		8.2	8.0	10.0	15	2.0	12	5	12	8	37	DPCU-12
8	50	6.5	9.2	11.2	16	2.0	16	8	12	9	45	DPCU-13
		8.2	9.2	11.2	16	2.0	16	8	12	9	45	DPCU-14
		10.2	9.2	11.2	16	2.0	16	8	12	9	45	DPCU-15
9	70	8.2	11.6	13.8	20	2.2	18	10	15	13	56	DPCU-16
		10.2	11.6	13.8	20	2.2	18	10	15	13	56	DPCU-17
		12.7	11.6	13.8	20	2.2	18	10	15	13	56	DPCU-18
10	95	10.2	12.8	15.6	23	2.8	20	10	15	13	58	DPCU-19
		12.7	12.8	15.6	23	2.8	20	10	15	13	58	DPCU-20
11	120	10.2	14.8	17.8	26	3.0	22	10	16	14	62	DPCU-21
		12.7	14.8	17.8	26	3.0	22	10	16	14	62	DPCU-22
		16.2	14.8	17.8	26	3.0	22	10	16	14	62	DPCU-23



SL. NO.	AREA mm <sup>2</sup>	DIMENSION										CAT.No.
		E	A	C	D	F	B	K	H	G	J	
12	150	10.2	16.0	19.6	28	3.6	26	11	18	15	70	DPCU-24
		12.7	16.0	19.6	28	3.6	26	11	18	15	70	DPCU-25
		16.2	16.0	19.6	28	3.6	26	11	18	15	70	DPCU-26
13	185	12.7	18.0	22.0	32	4.0	30	11	21	21	83	DPCU-27
		16.2	18.0	22.0	32	4.0	30	11	21	21	83	DPCU-28
14	225	16.2	20.0	24.0	35	4.0	34	13	24	24	95	DPCU-231
15	240	16.2	22.0	26.0	38	4.0	34	15	24	24	97	DPCU-29
		20.3	22.0	26.0	38	4.0	34	15	24	24	97	DPCU-30
16	300	16.2	24.0	28.7	42	4.7	34	13	26	25	103	DPCU-31
		20.3	24.0	28.7	42	4.7	34	13	26	25	103	DPCU-32
17	400	20.3	28.0	33.2	49	5.2	44	18	27	27	116	DPCU-33
18	500	20.3	30.0	36.0	53	6.0	48	18	27	27	120	DPCU-34
19	630	20.3	35.0	41.5	61	6.5	55	18	33	31	137	DPCU-35
21	800		39.0	46.3	67	7.3	65	25	38	37	165	DPCU-62
22	1000		43.0	53.8	76	10.8	90	30	45	45	210	DPCU-76