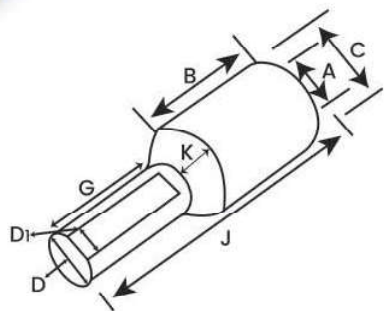
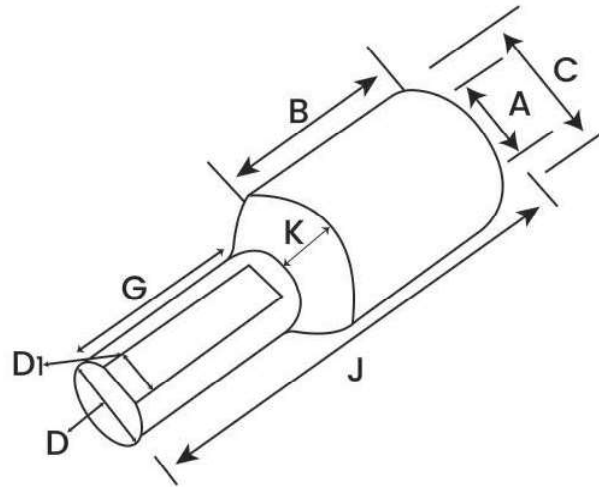




ALUMINIUM REDUCER TERMINALS



SL. NO.	AREA mm ²	DIMENSION								CAT.No.
		A	C	D	D-1	B	K	G	J	
1	2.5	2.0	5.5	4.5	4	7	4	10	21	DPAWP-1
		2.6	5.5	3.8	3.3	7	4	10	21	DPAWP-7
2	4	2.9	5.5	4.5	4	7	4	10	21	DPAWP-15
		2.9	5.5	3.8	3.3	7	4	10	21	DPAWP-16
3	6	3.5	5.5	4.5	4	7	4	10	21	DPAWP-17
		3.5	5.5	3.8	3.3	7	4	10	21	DPAWP-18
4	10	3.8	7.5	4.5	4	9	4	10	23	DPAWP-19
		3.8	7.5	3.8	3.3	9	4	10	23	DPAWP-20
		4.4	7.5	4.5	4	9	4	10	23	DPAWP-21
		4.4	7.5	3.8	3.3	9	4	10	23	DPAWP-22
5	16	5.4	8.5	6	5.5	13	5	15	33	DPAWP-23
		5.4	8.5	6	5.5	13	5	20	38	DPAWP-24
		5.4	8.5	3.8	3	13	5	13	31	DPAWP-2
6	25	7	10	6	5.5	16	5	15	36	DPAWP-25
		7	10	7.5	6.5	16	5	20	41	DPAWP-3
7	35	8	10.8	7.5	6.5	18	5	20	43	DPAWP-4
8	50	9.3	13	7.5	6.5	22	5	20	47	DPAWP-26
		10.4	14	14	13	22	7	24	53	DPAWP-5
9	70	11.6	16	7.5	6.5	26	5	20	51	DPAWP-27
		11.6	16	11.5	10.5	26	5	25	56	DPAWP-6
		11.6	16	11.5	10.5	26	5	32	63	DPAWP-28
10	95	12.9	17.1	11.5	10.5	28	6	25	59	DPAWP-29
		12.9	17.1	15.6	14	28	6	27	61	DPAWP-8
		12.9	17.1	7.5	6.5	28	6	22	56	DPAWP-31
		12.9	17.1	12.8	11.8	28	6	32	66	DPAWP-32



SL. NO.	AREA mm ²	DIMENSION								CAT.No.
		A	C	D	D-I	B	K	G	J	
11	120	14.8	19.6	11.5	10.5	32	6	25	63	DPAWP-33
		14.8	19.6	7.5	6.5	32	6	22	60	DPAWP-34
		14.8	19.6	11.5	10.5	32	6	32	70	DPAWP-35
		14.8	19.6	15.6	14	32	6	32	70	DPAWP-36
12	150	16.1	21.2	15.6	14	34	6	32	72	DPAWP-10
		16.1	21.2	11.5	10.5	34	6	32	72	DPAWP-37
13	185	18	23.7	15.6	14	36	6	32	74	DPAWP-30
		18	23.7	11.5	10.5	36	6	32	74	DPAWP-38
14	225	20.6	27	15.6	14	40	8	32	80	DPAWP-39
		20.6	27	21	18	40	8	42	90	DPAWP-46
		20.6	27	16	15	40	8	42	90	DPAWP-42
15	240	22	28	16	15	44	8	42	94	DPAWP-44
		22	28	15.6	14	44	8	32	84	DPAWP-43
16	300	24	31	16	15	47	8	42	97	DPAWP-45
		24	31	15.6	14	47	8	32	87	DPAWP-47

